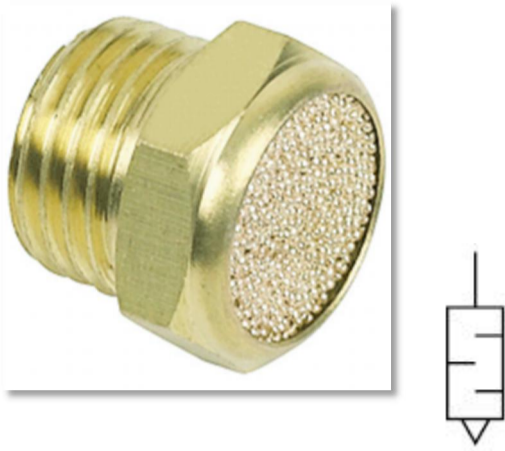
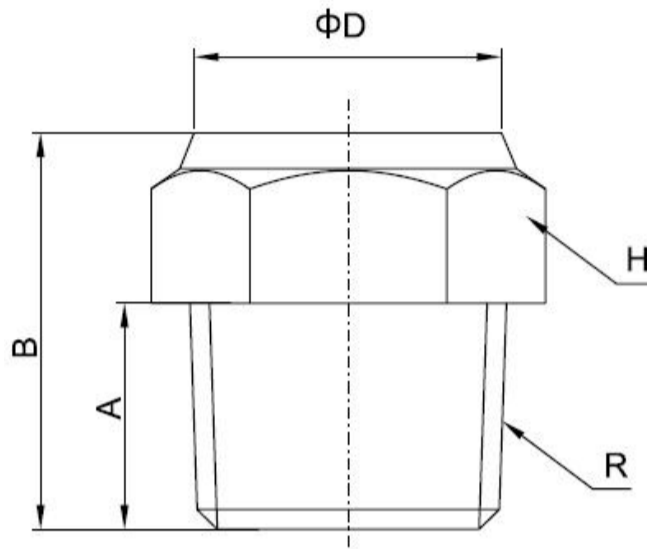


BSLM SINTERED BRONZE BREATHER VENT SILENCER



Body(noise absorbing material): Sintered bronze
 Base(thread): Brass

Working Pressure: 0—1.0MPa | 0—150psi
 Proof Pressure: 3.0Mpa | 435psi
 Negative Pressure: -100Kpa | -29.5 In Hg
 Working Temperature: -10~80°C | 14~176°F



PART NO.	Sound Pressure Level*	R	A(mm)	B(mm)	H(mm)
BSLM 01	75	R1/8	5.8	11	12
BSLM 02	80	R1/4	7	12.5	15
BSLM 03	85	R3/8	9	15.5	18
BSLM 04	90	R1/2	10	17	21
BSLM 06	95	R3/4	10.5	18	27
BSLM 08	100	R1	11.5	20	34
BSLM 10	105	R1-1/4	18.5	32	46
BSLM 12	105	R1-1/2	18.2	33.5	53
BSLM 16	105	R2	19.5	36	64
BSLM G01	75	G1/8	5.8	11	12
BSLM G02	80	G1/4	7	12.5	15
BSLM G03	85	G3/8	9	15.5	18
BSLM G04	90	G1/2	10	17	21
BSLM G06	95	G3/4	10.5	18	27
BSLM G08	100	G1	11.5	20	34
BSLM G10	105	G1-1/4	18.5	32	46
BSLM G12	105	G1-1/2	18.2	33.5	53
BSLM G16	105	G2	19.5	36	64
BSLM U10	74	10-32UNF	4	10	8
BSLM N01	75	1/8NPT	5.8	11	12
BSLM N02	80	1/4NPT	7	12.5	15
BSLM N03	85	3/8NPT	9	15.5	18
BSLM N04	90	1/2NPT	10	17	21
BSLM N06	95	3/4NPT	10.5	18	27
BSLM N08	100	1NPT	11.5	20	34
BSLM N10	105	1-1/4NPT	18.5	32	46
BSLM N12	105	1-1/2NPT	18.2	33.5	53
BSLM N16	105	2NPT	19.5	36	64
BSLM M5 x 0.8	72	M5 x 0.8	4	10	8
BSLM M6 x 1	72	M6 x 1	4.1	10	8
BSLM M8 x 1	75	M8 x 1	5.8	11	12
BSLM M8 x 1.25	75	M8 x 1.25	5.8	11	12
BSLM M10 x 1	75	M10 x 1	5.8	11	12
BSLM M10 x 1.25	75	M10 x 1.25	5.8	11	12
BSLM M12 x 1.25	80	M12 x 1.25	7	12.5	15
BSLM M14 x 1.5	80	M14 x 1.5	7	12.5	15
BSLM M16 x 1.5	85	M16 x 1.5	9	15.5	18
BSLM M20 x 1.5	90	M20 x 1.5	10	17	21

* Sound pressure level measured at 6 bar at 1 m distance.

** Information contained herein may be changed without prior notification.